



STATE OF NORTH CAROLINA
DEPARTMENT OF TRANSPORTATION

BEVERLY EAVES PERDUE
GOVERNOR

EUGENE A. CONTI, JR.
SECRETARY

Minutes of Pre-Bid Conference

DATE: Thursday, March 17, 2011

TIME: 1:00 p.m.

PROJECT: WBS 33258.3.1 / DO00120 / B-3802 / Ashe County Replacement of
Bridge No. 229

LOCATION: Chief Engineer's Conference Room, Maintenance Building, Raleigh,
Wake County

A mandatory pre-bid conference was held for the above listed project. A list of attendees is attached to these minutes. Mr. Zaki Wafa of the Bridge Management Unit conducted the pre-bid conference. The bid opening date is at 2:00 p.m., Thursday, March 31, 2011. The following items are noted and are hereby made part of the contract:

1. The fill slope throughout the project shall be in such that it will be away from the stream banks, referring to the revised roadway plans, typical section No. 1 and the roadway cross sections that are attached with these minutes.

Ec: David Poindexter, PE
Trent Beaver, PE
Ivan Dishman, PE
Prospective Bidders
File

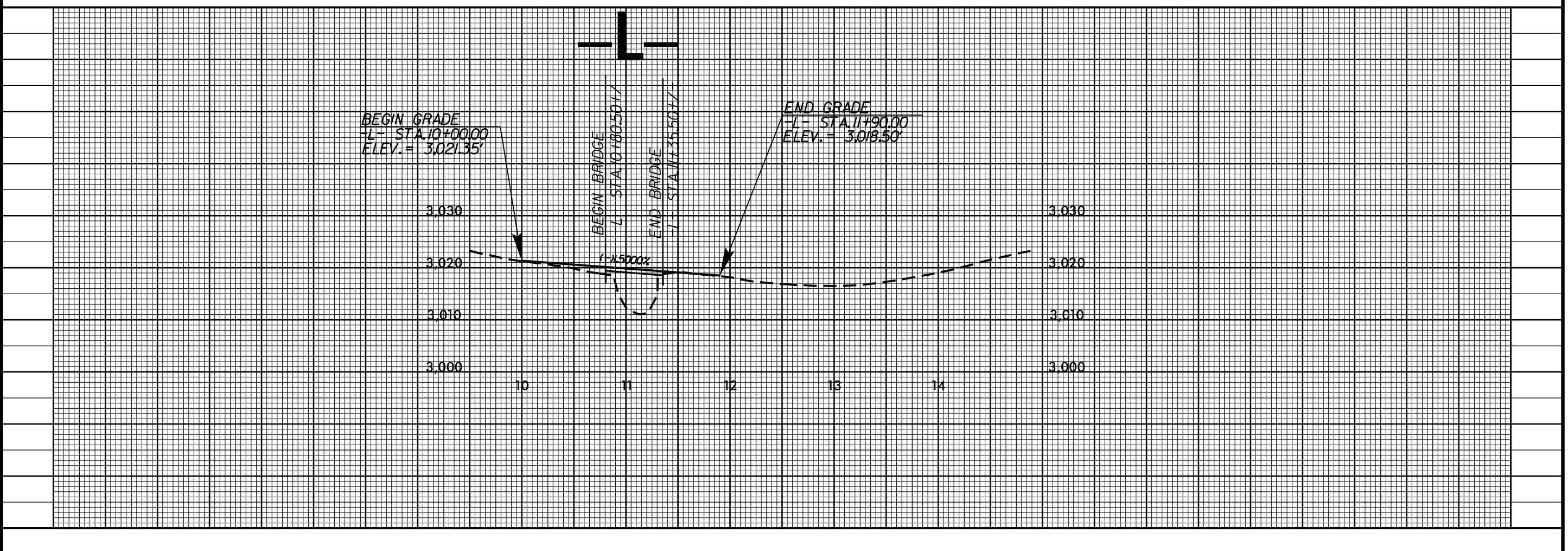
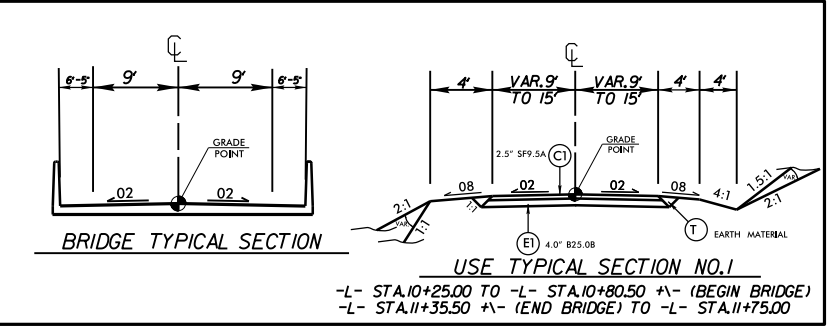
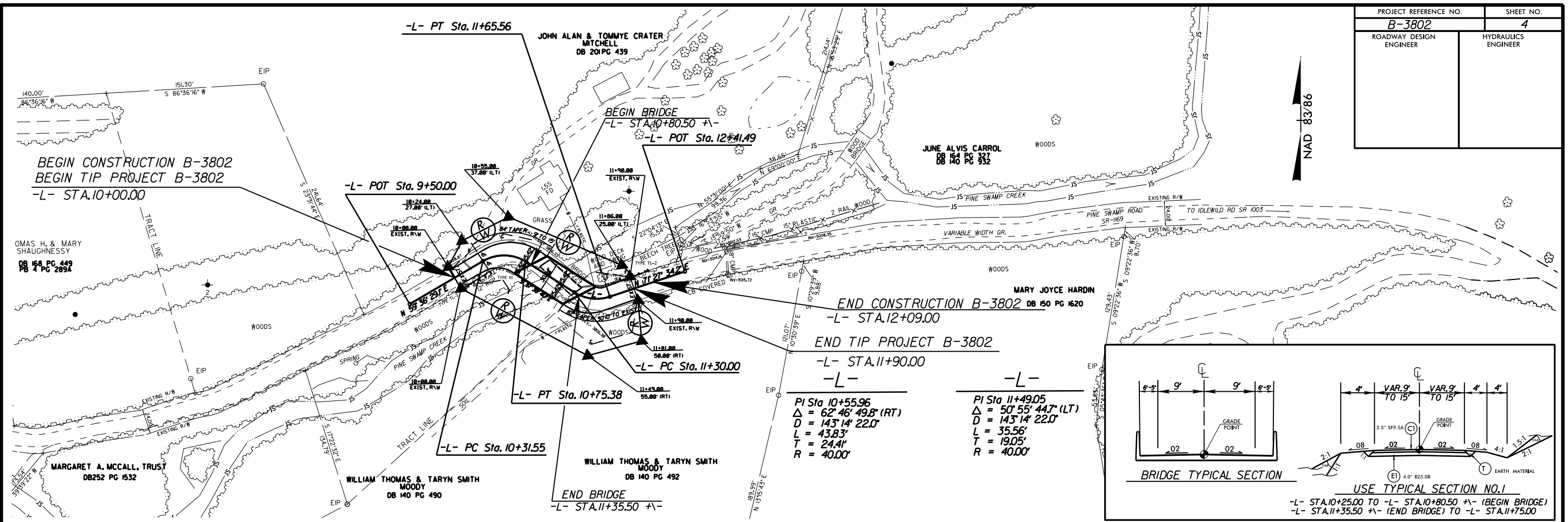
MAILING ADDRESS:
Bridge Management Unit
1565 Mail Service Center
Raleigh, NC 27699-1565

Telephone: 919-733-4362
FAX: 919-733-2348
WEBSITE: www.doh.dot.state.nc.us

LOCATION
4809 Beryl Road
Raleigh, NC 27606

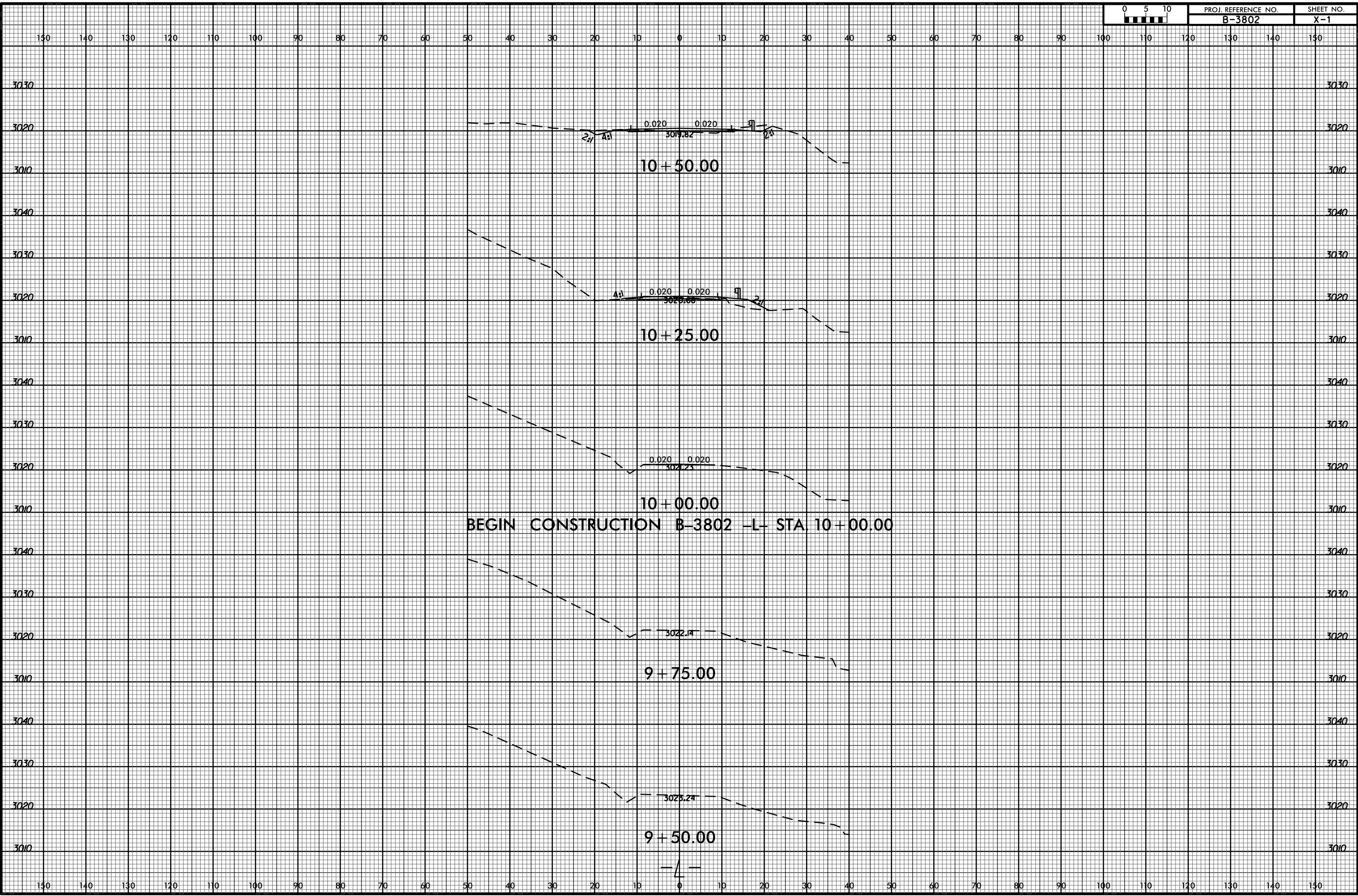
5/28/99

PROJECT REFERENCE NO. B-3802	SHEET NO. 4
ROADWAY DESIGN ENGINEER	HYDRAULICS ENGINEER

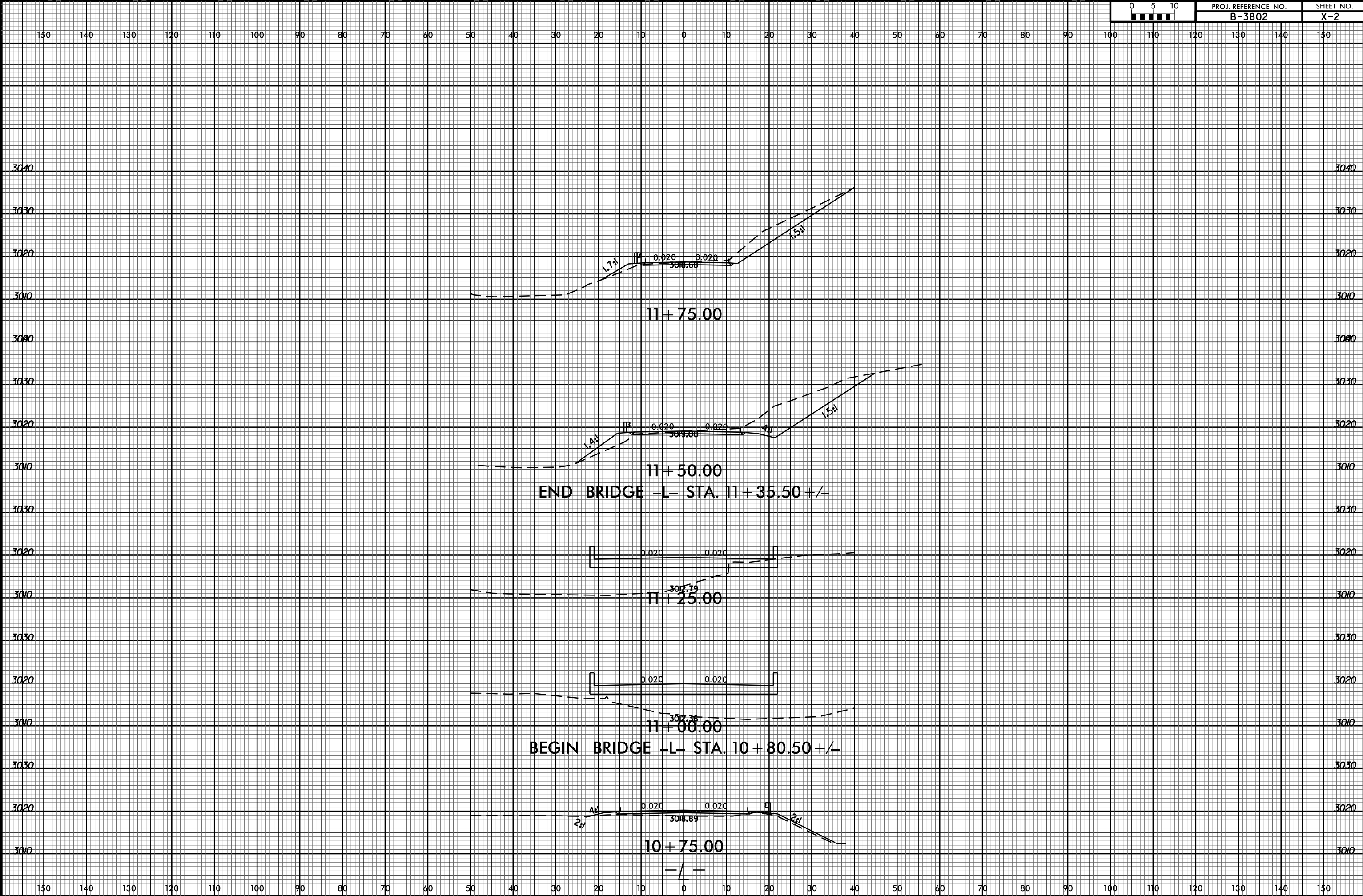


24-MAR-2011 15:43
 R:\Roadway\Projects\B-3802_rdy.p1_dyp6.dgn

8/23/99



24-MAR-2011 8:43
R:\Roadway\Projects\B-3802-Rdy_xpl.dgn
\$\$\$\$\$USERNAME\$\$\$\$\$





150 140 130 120 110 100 90 80 70 60 50 40 30 20 10 0 10 20 30 40 50 60 70 80 90 100 110 120 130 140 150

3040

3040

3030

3030

3020

3020

3010

3010

3040

3040

3030

3030

3020

3020

3010

3010

END CONSTRUCTION B-3802 -L- STA. 12+09.00

3017.28

12+25.00

3018.15

12+00.00



150 140 130 120 110 100 90 80 70 60 50 40 30 20 10 0 10 20 30 40 50 60 70 80 90 100 110 120 130 140 150

**OFFICIAL ROSTER OF PRE-BID CONFERENCE ATTENDEES
NCDOT-BRIDGE MANAGEMENT UNIT-POC**

DATE: Thursday, March 17, 2011
TIME: 1:00 p.m.

BRIDGE REPLACEMENT CONTRACTS:

- | | |
|---|---|
| 1. Stanly Co. Br. # 209, DO00118 (B-4278) | 4. Lincoln Co. Br. #183, D000119 (B-4573) |
| 2. Ashe Co. Br. # 229, DO00120 (B-3802) | 5. Haywood Co. Br. #9, D000117 (B-3657) |
| 3. Watauga Co. Br. # 37, DO00095 (B-5226) | |

* CIRCLE THE NUMBER CORRESPONDING TO THE PROJECT THAT YOU PLAN TO BID ON.

NAME	*PROJECT	COMPANY REPRESENTED AND ADDRESS	CONTACT INFORMATION
Recil H. Wright, PE	<input checked="" type="radio"/> 1 <input type="radio"/> 2 <input type="radio"/> 3 <input type="radio"/> 4 <input type="radio"/> 5	WP Contractors, LLC 4190 Hwy 16 South Newton, NC 28658	Email: <u>recil@wpcontractors.com</u> Phone: <u>828-465-2205</u> Fax: <u>828-465-5878</u>
Ryan Holter	<input type="radio"/> 1 <input type="radio"/> 2 <input type="radio"/> 3 <input type="radio"/> 4 <input type="radio"/> 5	Apple-Track & Assoc. Hwy 221 South Rutherfordton, NC 29139	Email: _____ Phone: <u>828-287-3767</u> Fax: _____
Clifford Miller	<input type="radio"/> 1 <input type="radio"/> 2 <input type="radio"/> 3 <input type="radio"/> 4 <input type="radio"/> 5	Miller Engineering Co. Inc. P.O. Box 1048 Marion, N.C. 28752	Email: <u>Miller.Engineering@xh.com</u> Phone: <u>828-738-8441</u> Fax: <u>828-738-8440</u>
Leigh Hughes	<input checked="" type="radio"/> 1 <input type="radio"/> 2 <input type="radio"/> 3 <input type="radio"/> 4 <input type="radio"/> 5	TCB builders P.O. Box 1625 Lexington, NC 27293	Email: <u>tcbbuilder@aol.com</u> Phone: <u>336-224-2200</u> Fax: <u>336-224-2299</u>
CHIP HAERIS	<input type="radio"/> 1 <input type="radio"/> 2 <input type="radio"/> 3 <input type="radio"/> 4 <input type="radio"/> 5	UTILITY PRECAST, INC 1420 JUEY CLINE RD CONCORD, NC 27707	Email: <u>UTILITYPRECAST@HOTMAIL.COM</u> Phone: <u>704-721-0106</u> Fax: <u>704-721-0226</u>
Bryan Long	<input type="radio"/> 1 <input type="radio"/> 2 <input type="radio"/> 3 <input type="radio"/> 4 <input type="radio"/> 5	DANE CONSTRUCTION, INC 280 Mooresville Blvd. Mooresville, NC 28115	Email: <u>Pete@daneconstruction.com</u> Phone: <u>704-664-5092 EXT 23</u> Fax: <u>704-663-2475</u>

**OFFICIAL ROSTER OF PRE-BID CONFERENCE ATTENDEES
NCDOT-BRIDGE MANAGEMENT UNIT-POC**

DATE: Thursday, March 17, 2011
TIME: 1:00 p.m.

BRIDGE REPLACEMENT CONTRACTS:

- | | |
|---|---|
| 1. Stanly Co. Br. # 209, DO00118 (B-4278) | 4. Lincoln Co. Br. #183, D000119 (B-4573) |
| 2. Ashe Co. Br. # 229, DO00120 (B-3802) | 5. Haywood Co. Br. #9, D000117 (B-3657) |
| 3. Watauga Co. Br. # 37, DO00095 (B-5226) | |

* CIRCLE THE NUMBER CORRESPONDING TO THE PROJECT THAT YOU PLAN TO BID ON.

NAME	*PROJECT	COMPANY REPRESENTED AND ADDRESS	CONTACT INFORMATION
KENAN POROBIC	<input checked="" type="checkbox"/> 1 <input type="checkbox"/> 2 <input type="checkbox"/> 3 <input checked="" type="checkbox"/> 4 <input type="checkbox"/> 5	BLYTHE CONSTRUCTION 2911 N. GRAHAM STREET CHARLOTTE, NC 28206	KENAN POROBIC Email: BLYTHECONSTRUCTION@com Phone: 704-375-8474 Fax: 704-375-7814
JIM RAND	<input type="checkbox"/> 1 <input type="checkbox"/> 2 <input type="checkbox"/> 3 <input checked="" type="checkbox"/> 4 <input type="checkbox"/> 5	J.T. RUSSELL & SONS 1721 USS2 NORTH ALBEMARLE, NC 28001	NATHAN RUSSELL Email: JTRUSSELLANDSONS.COM Phone: 704.982.2225 Fax: 704.986.2270
GARRETT ELROD	<input type="checkbox"/> 1 <input type="checkbox"/> 2 <input type="checkbox"/> 3 <input type="checkbox"/> 4 <input checked="" type="checkbox"/> 5	Simpson Construction Co. PO Box 2727 Cleveland, TN 37320	Email: garrett-elrod@simpsonconst.net Phone: 423.472-4553 Fax: 423-472-9824
Alec Blythe	<input type="checkbox"/> 1 <input type="checkbox"/> 2 <input type="checkbox"/> 3 <input type="checkbox"/> 4 <input type="checkbox"/> 5	Blythe Development 1415 E Wastinghouse Blvd Charlotte, NC 28273	Email: Ablythe@blythedevelopment.com Phone: 704-588-0023 Fax: 704-588-9935
Phillip Shore	<input type="checkbox"/> 1 <input type="checkbox"/> 2 <input type="checkbox"/> 3 <input type="checkbox"/> 4 <input type="checkbox"/> 5	Davie Grading Inc 1623 Hwy 158 Mocksville NC 27028	Email: Daviegrading@kadtel.net Phone: 336-751-0022 Fax: 336-751-1622
LARRY CAGLE	<input type="checkbox"/> 1 <input type="checkbox"/> 2 <input type="checkbox"/> 3 <input type="checkbox"/> 4 <input type="checkbox"/> 5	Thompson-Arthur Div. APAC PO Box 21088 GREENSBORO, NC	Email: LWCagle@APAC.com Phone: 336-412-6867 Fax: 336-412-6777

**OFFICIAL ROSTER OF PRE-BID CONFERENCE ATTENDEES
NCDOT-BRIDGE MANAGEMENT UNIT-POC**

DATE: Thursday, March 17, 2011
TIME: 1:00 p.m.

BRIDGE REPLACEMENT CONTRACTS:

- | | |
|---|---|
| 1. Stanly Co. Br. # 209, DO00118 (B-4278) | 4. Lincoln Co. Br. #183, D000119 (B-4573) |
| 2. Ashe Co. Br. # 229, DO00120 (B-3802) | 5. Haywood Co. Br. #9, D000117 (B-3657) |
| 3. Watauga Co. Br. # 37, DO00095 (B-5226) | |

*** CIRCLE THE NUMBER CORRESPONDING TO THE PROJECT THAT YOU PLAN TO BID ON.**

NAME	*PROJECT	COMPANY REPRESENTED AND ADDRESS	CONTACT INFORMATION
KEVIN BURNS	5	R. E. BURNS & Sons	Email: <u>kevine.reburns.com</u> Phone: <u>704 924 8646</u> Fax: <u>-8607</u>
MIKE LONG	1	Taylor & MURPHY Const. Co, Inc.	Email: <u>melong@taylorandmurphy.com</u> Phone: <u>828 667 4526</u> Fax: <u>828 667 1770</u>
Kevin Austin	2	Mulkey Engineers & Consultants	Email: <u>kaustin@mulkeyinc.com</u> Phone: <u>(919) 858-1790</u> Fax: <u>(919) 851-1918</u>
Gary Eisner	2	JR Varroy & Sons	Email: <u>Gary.Eisner@Jrvarroy.com</u> Phone: <u>336-846-7191</u> Fax: <u>336-846-7112</u>
Redd Boelte	1	Mountain Creek Contractors, Inc	Email: <u>rockett@mtcreekinc.com</u> Phone: <u>334 382 5574</u> Fax: <u>828 241 -3642</u>
	1		Email: _____ Phone: _____ Fax: _____

**OFFICIAL ROSTER OF PRE-BID CONFERENCE ATTENDEES
NCDOT-BRIDGE MANAGEMENT UNIT-POC**

DATE: Thursday, March 17, 2011
TIME: 1:00 p.m.

BRIDGE REPLACEMENT CONTRACTS:

- | | |
|---|---|
| 1. Stanly Co. Br. # 209, DO00118 (B-4278) | 4. Lincoln Co. Br. #183, D000119 (B-4573) |
| 2. Ashe Co. Br. # 229, DO00120 (B-3802) | 5. Haywood Co. Br. #9, D000117 (B-3657) |
| 3. Watauga Co. Br. # 37, DO00095 (B-5226) | |

* CIRCLE THE NUMBER CORRESPONDING TO THE PROJECT THAT YOU PLAN TO BID ON.

NAME	*PROJECT	COMPANY REPRESENTED AND ADDRESS	CONTACT INFORMATION
Lee Bradley	1 2 3 4 5	Dellinger Inc. P.O. Box 929 Monroe NC 28110	Email: <u>Lee@Dellinger-Inc.com</u> Phone: <u>704-283-7551</u> Fax: <u>704-283-8117</u>
Steve Rackley	1 2 3 4 5	NC DOT Div 12	Email: <u>srackley@ncdot.gov</u> Phone: <u>704-480-9034</u> Fax: _____
Blayne Parton	1 2 3 4 5	Owl Construction, LLC	Email: <u>Bparton@owlconstruction.com</u> Phone: <u>828 497 8900</u> Fax: <u>828 497 4843</u>
RON SHAW	1 2 3 4 5	LEE CONST CO of the CARDINAS, INC CHARLOTTE NC	Email: <u>RShaw@leeconst.com</u> Phone: <u>704-588-5272</u> Fax: <u>704-588-1535</u>
	1 2 3 4 5		Email: _____ Phone: _____ Fax: _____
	1 2 3 4 5		Email: _____ Phone: _____ Fax: _____

DATE: Thursday, March 17, 2011
 TIME: 1:00 p.m.

BRIDGE REPLACEMENT CONTRACTS:

- | | |
|---|---|
| 1. Stanly Co. Br. # 209, DO00118 (B-4278) | 4. Lincoln Co. Br. #183, D000119 (B-4573) |
| 2. Ashe Co. Br. # 229, DO00120 (B-3802) | 5. Haywood Co. Br. #9, D000117 (B-3657) |
| 3. Watauga Co. Br. # 37, DO00095 (B-5226) | |

*** CIRCLE THE NUMBER CORRESPONDING TO THE PROJECT THAT YOU PLAN TO BID ON.**

NAME	*PROJECT	COMPANY REPRESENTED AND ADDRESS	CONTACT INFORMATION
------	----------	---------------------------------	---------------------

JONATHAN RANDALL jonathan.randall@yahoo.com	1 2 3 4 5	SMITH-ROWE, LLC 639 Old US Hwy 52 Mt. Airy	Email: locke.rowe@triad.nc.v Phone: 336 789 8221 Fax: 336 789 6807
--	-----------------------	--	--

	1 2 3 4 5		Email: _____ Phone: _____ Fax: _____
--	-----------------------	--	--

	1 2 3 4 5		Email: _____ Phone: _____ Fax: _____
--	-----------------------	--	--

	1 2 3 4 5		Email: _____ Phone: _____ Fax: _____
--	-----------------------	--	--

	1 2 3 4 5		Email: _____ Phone: _____ Fax: _____
--	-----------------------	--	--

	1 2 3 4 5		Email: _____ Phone: _____ Fax: _____
--	-----------------------	--	--